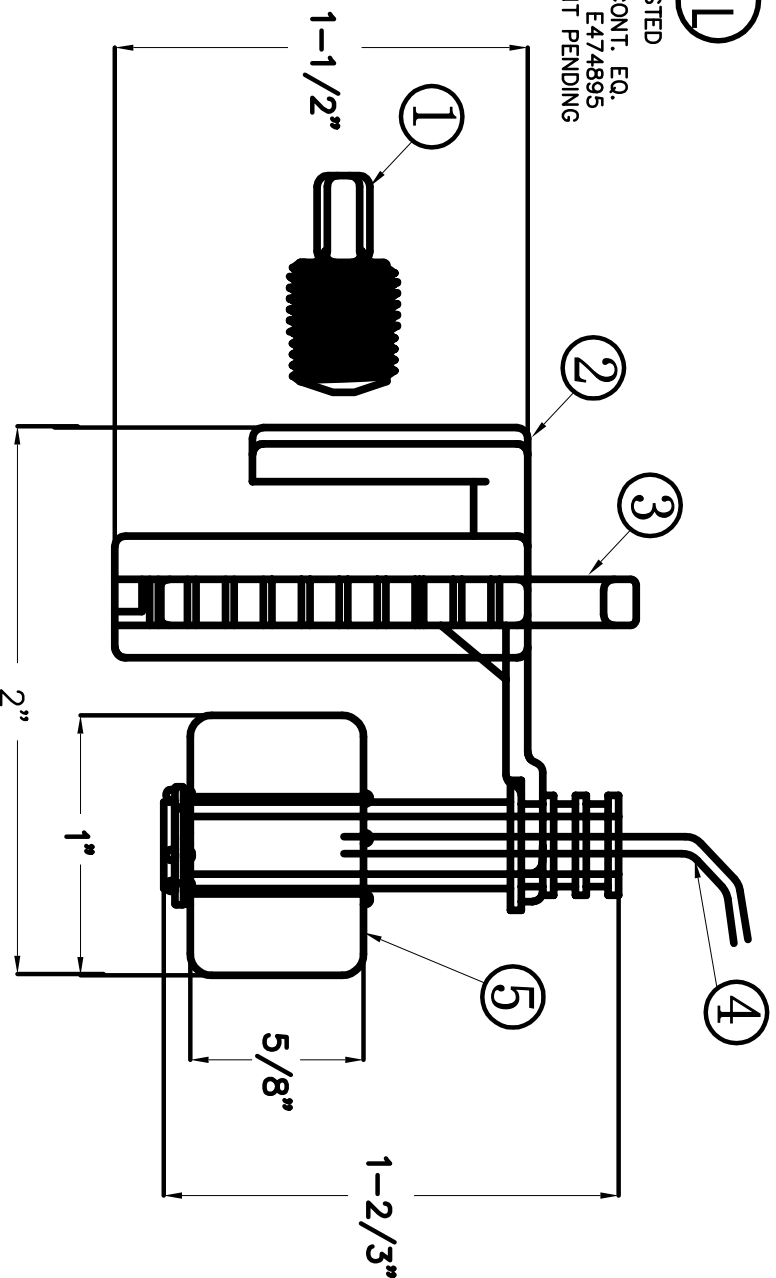


# ALL-ACCESS® Model AA3



LISTED  
IND. CONT. EQ.  
E474895  
PATENT PENDING



- ① PA6 Fixed Knob
- ② PA6 Clip/Bracket
- ③ PA6 Moveable Holder
- ④ 72"-Inch,18AWG Cables(Pre-wired and Potted)
- ⑤ Electrically Potted Switch/Cap Assembly

## MSD RESEARCH

www.All Access Device.com

PART NAME:

MODEL AA3 A/C CONDENSATE PAN OVERFLOW SWITCH

TOLERANCES: (EXCEPT WHERE NOTED)		SCALE:	DRAWN BY:	DATE:
.XX ± .020		NONE	Lisa	2/17/16
.XXX ± .005		DRAWING:	APPROVED BY:	REVISION:
.XXXX ± .0005		AA3		C
ANG ± 1/2°				

### COMMENTS/REQUIREMENTS:

- Potted,electrically water sealed reed/magnet switch design
- Tested to UL 508
- Minimum Pan Depth:1-1/2"inch.Adjusts for deeper pans
- Sensitivity: 1/4-inch rise in float opens switch
- 24 Volts A/C Class 2
- 1.25 Amp switching capacity.