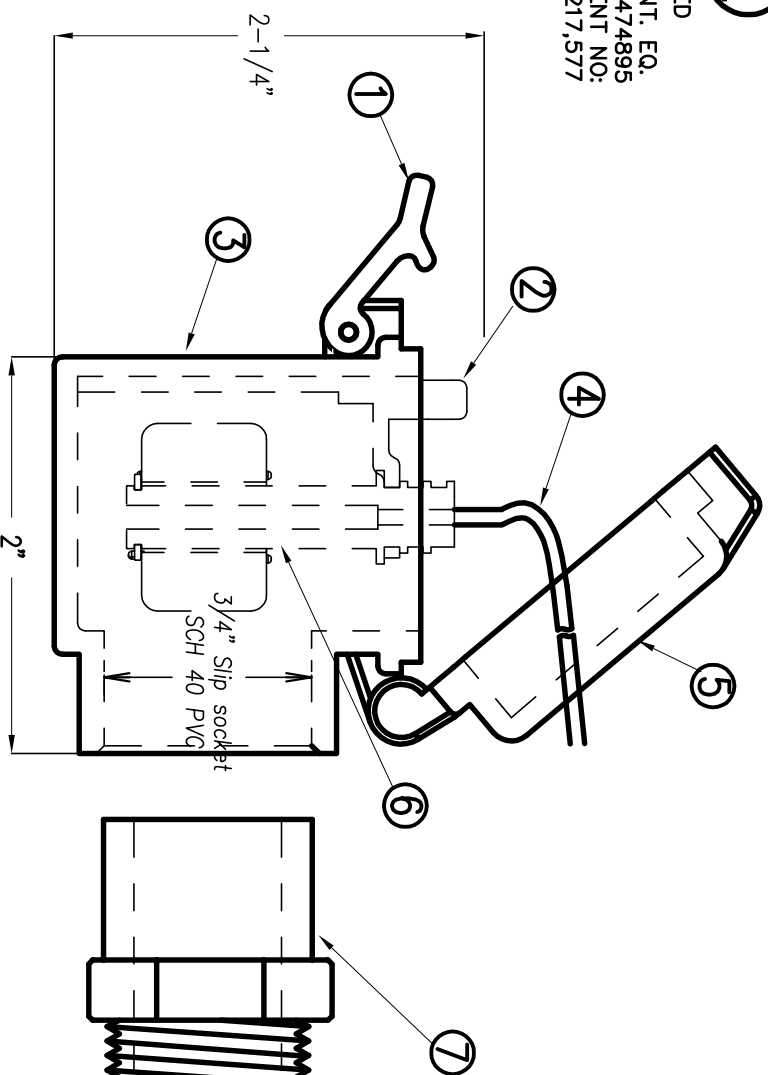




LISTED
IND. CONT. EQ.
E474895
US PATENT NO:
9,217,577

ALL-ACCESS® Model 1 AA2-FS



MSD RESEARCH
www.ALL Access Device.com

PART NAME:
CONDENSATE DRAIN PAN OVERFLOW KIT
AA2-FS

TOLERANCES: (EXCEPT WHERE NOTED)		SCALE:	DRAWN BY:	DATE:
.XX ± .020		NONE	Lisa	2/17/16
.XXX ± .005		DRAWING:	APPROVED BY:	REVISION:
.XXXX ± .0005		AA2-FS		B
ANG ± 1/2°				

- ① T-Switch Hasp
- ② PA6 Moveable Holder
- ③ PVC Plastic Body
- ④ 72"-Inch, 18AWG Cables(Pre-wired and Potted)
- ⑤ PVC Top Lid
- ⑥ Electrically Potted Switch/Cap Assembly
- ⑦ 3/4" NPT X 3/4" SLIP PVC Adaptor

COMMENTS/REQUIREMENTS:

- Potted, electrically water sealed reed/magnet switch design.
- Tested to UL 508
- Schedule 40 PVC plastic components.
- 24 VAC.
- 1.25 Amp switching capacity.