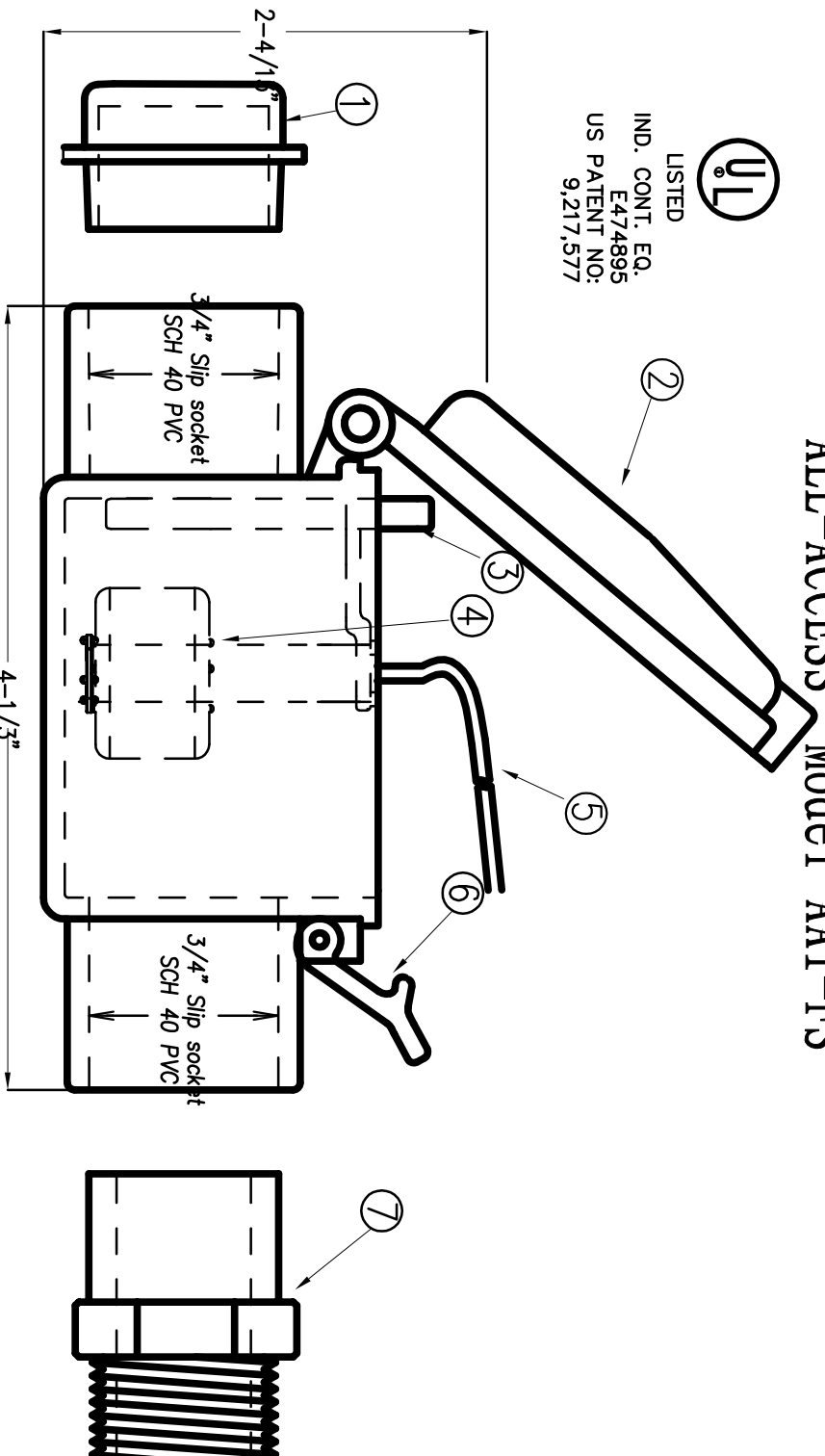


ALL-ACCESS® Model 1 AA1-FS



LISTED
IND. CONT. EQ.
E474895
US PATENT NO:
9,217,577



- ① 3/4" SLIP Plug for Close Coupled Applications
- ② PVC Top Lid
- ③ PA6 Moveable Holder
- ④ Electrically Potted Switch/Cap Assembly
- ⑤ 72"-Inch, 18AWG Cables(Pre-wired and Potted)
- ⑥ T-Switch Hasp
- ⑦ 3/4" NPT X 3/4" SLIP PVC Adaptor

MSD RESEARCH

www.ALL Access Device.com

PART NAME:
CONDENSATE® DRAIN PAN OVERFLOW KIT
AA1-FS

TOLERANCES: <small>(UNLESS OTHERWISE NOTED)</small>		SCALE:	DRAWN BY:	DATE:
.XX ± .020	.XXX ± .005	NONE	Lisa	2/17/16
.XXXX ± .0005	ANG ± 1/2°	DRAWING:	APPROVED BY:	REVISION:
		AA1-FS		A

COMMENTS/REQUIREMENTS:

- Potted, electrically water sealed read/magnet switch design.
- Schedule 40 PVC plastic components.
- 24 VAC.
- 1.25 Amp switching capacity.
- Tested to UL 508